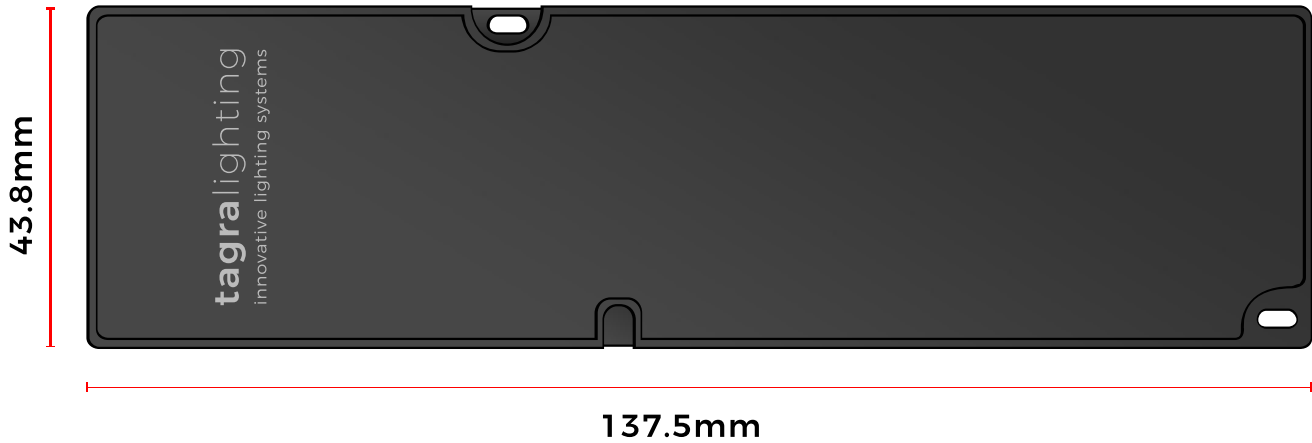


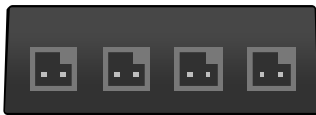
Top View



Side View



Front View

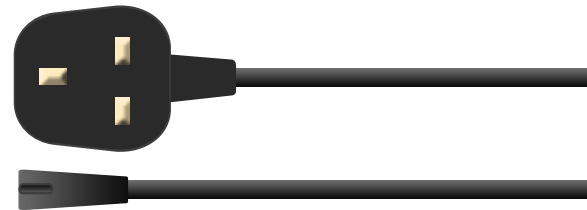


4 Front Ports

Back View



UK Figure 8 Lead (included)



SYNDEO 24W 12V DRIVER

Syndeo by TAGRA is a complete plug and play solution ideal for incorporating lighting in to furniture. No need for electrical qualifications.

Connect up to 4 runs of LED linear tape lighting quickly and easily from one driver. The Syndeo range is designed to save cost and installation time on large commercial outfits but also provides easy installation for one off projects.

SKU	SYN-24
Input Voltage	AC100-265V
Input Current	AC220V/0.2A
Inrush Current	<20A
Surge Protection	1000V
Short Circuit Protection	Yes
Over Voltage Protection	Yes
Power Factor	PF≥0.5
Output Current	2A
Wattage	24W
Voltage	12V
Working Temperature	-15° ~ +45°
Efficiency	>80%
IP Rating	IP20
Dimensions	137mm x 43m x 15mm(L×W×H)
Certification	CCC/TUV-CE /CB
Safety Standards	EN5022 EN55015:2013/A1:2015
Weight	219g
Warranty	2 years