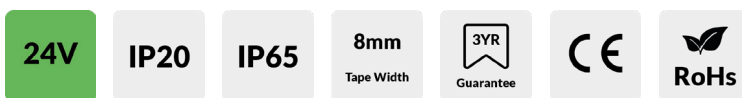


SYNDEO BY TAGRA® - 24V 60 & 120 LED'S PER METRE STRIP LIGHTS




AVAILABLE IN THESE COLOURS:




TECHNICAL INFORMATION

Strip Lights	60 LED's p/M	120 LED's p/M
SKU Code	SYNDEO-60LED24V	SYNDEO-120LED24V
Voltage	24V	24V
Wattage	4.8W p/M	9.6W p/M
No. of LED's p/M	60	120
Current	0.2A p/M	0.4A p/M
IP Rating	IP20, IP65	IP20, IP65
LED Chip	2835	2835
Beam Angle	120°	120°
CRI	>80	90
PCB Width	8mm	8mm
PCB Thickness	1.2mm	1.2mm
PCB Width (IP)	10mm	10mm
PCB Thickness (IP)	2.2mm	2.2mm
Cut Points	Every 100mm	Every 50mm
Operating Temp	-20°C to +60°C	-20°C to +60°C
Tape Length	1M, 5M Reel or 50M Reel	1M, 5M Reel or 50M Reel
Cable Length	2x 500mm Syndeo Connectors	2x 500mm Syndeo Connectors

 syndeosystem.com

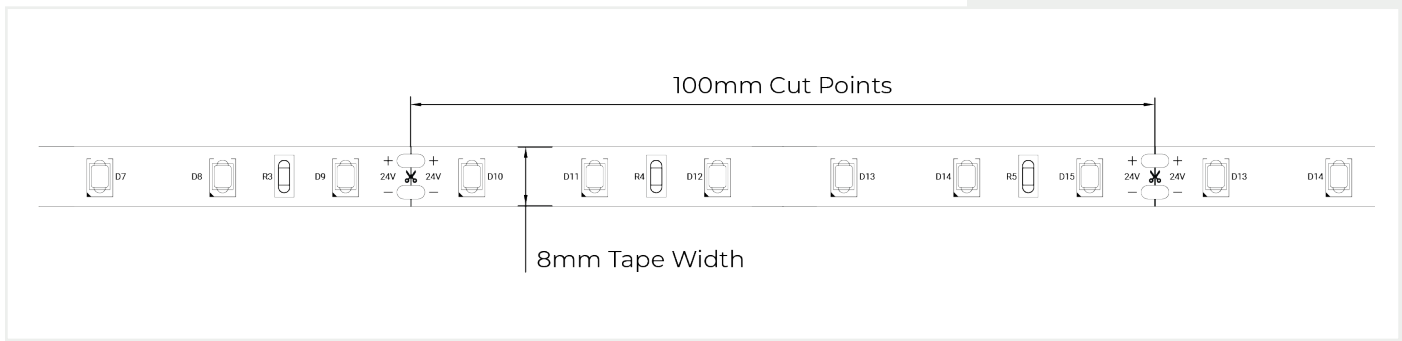
 0161 442 1180

 orders@syndeosystem.com

FEATURES & BENEFITS

- Professional level industry standard LED strip lights
- 5 Colours to choose from
- Available in 60 LED's per metre for ambient lighting
- Available in 120 LED's per metre for display lighting
- Length options include 5M reels, 50M reels and by the metre
- IP65 water ingress rated strip light options available
- 1x 500mm Plug & Play Syndeo connectors pre-installed at each end
- BS7671 Compliant

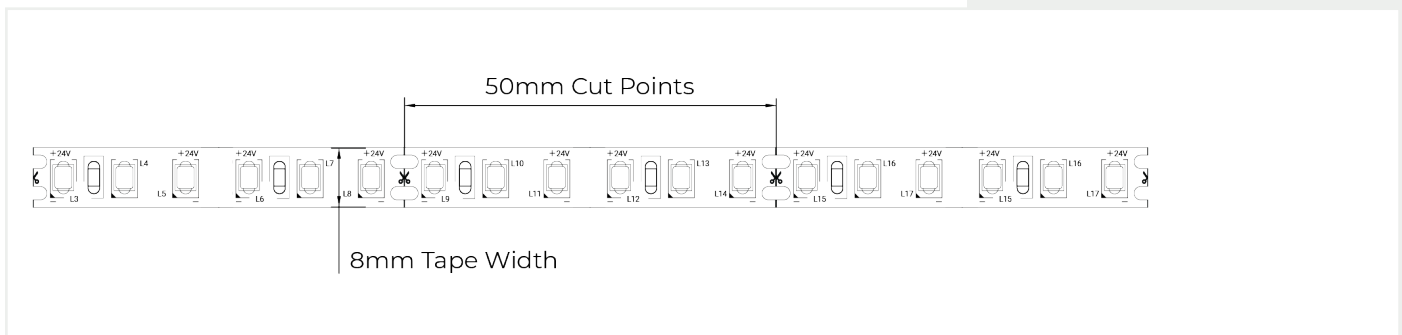
Driver Reqs.	1M	2M	3M	4M	5M
Wattage	6W	11W	16W	22W	27W



Colour Temp	2000K	2700K	3000K	4000K	6000K
Lumens p/M	390lm	480lm	550lm	580lm	600lm

**60 LED'S PER METRE
- LED STRIP LIGHTS**

Driver Reqs.	1M	2M	3M	4M	5M
Wattage	11W	22W	32W	43W	54W



Colour Temp	2000K	2700K	3000K	4000K	6000K
Lumens p/M	780lm	960lm	1100lm	1160lm	1200lm

**120 LED'S PER METRE
- LED STRIP LIGHTS**